

Prowital est distribuée en France par



[www.2sconcept-france.fr](http://www.2sconcept-france.fr)

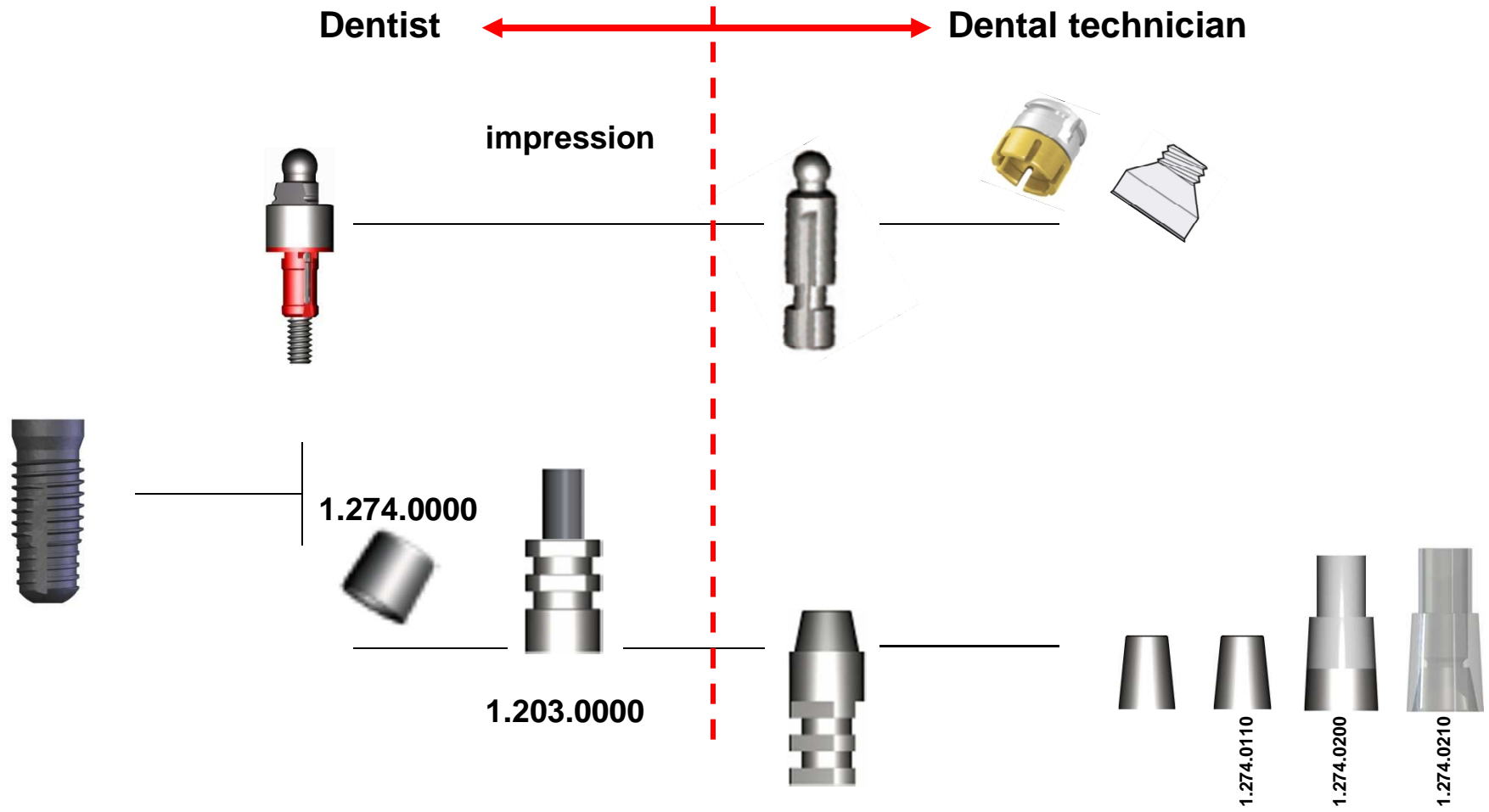
# Bar abutment

Prowital est distribuée en France par



[www.2sconcept-france.fr](http://www.2sconcept-france.fr)

# Bar- & Ballabutment, direct Workflow

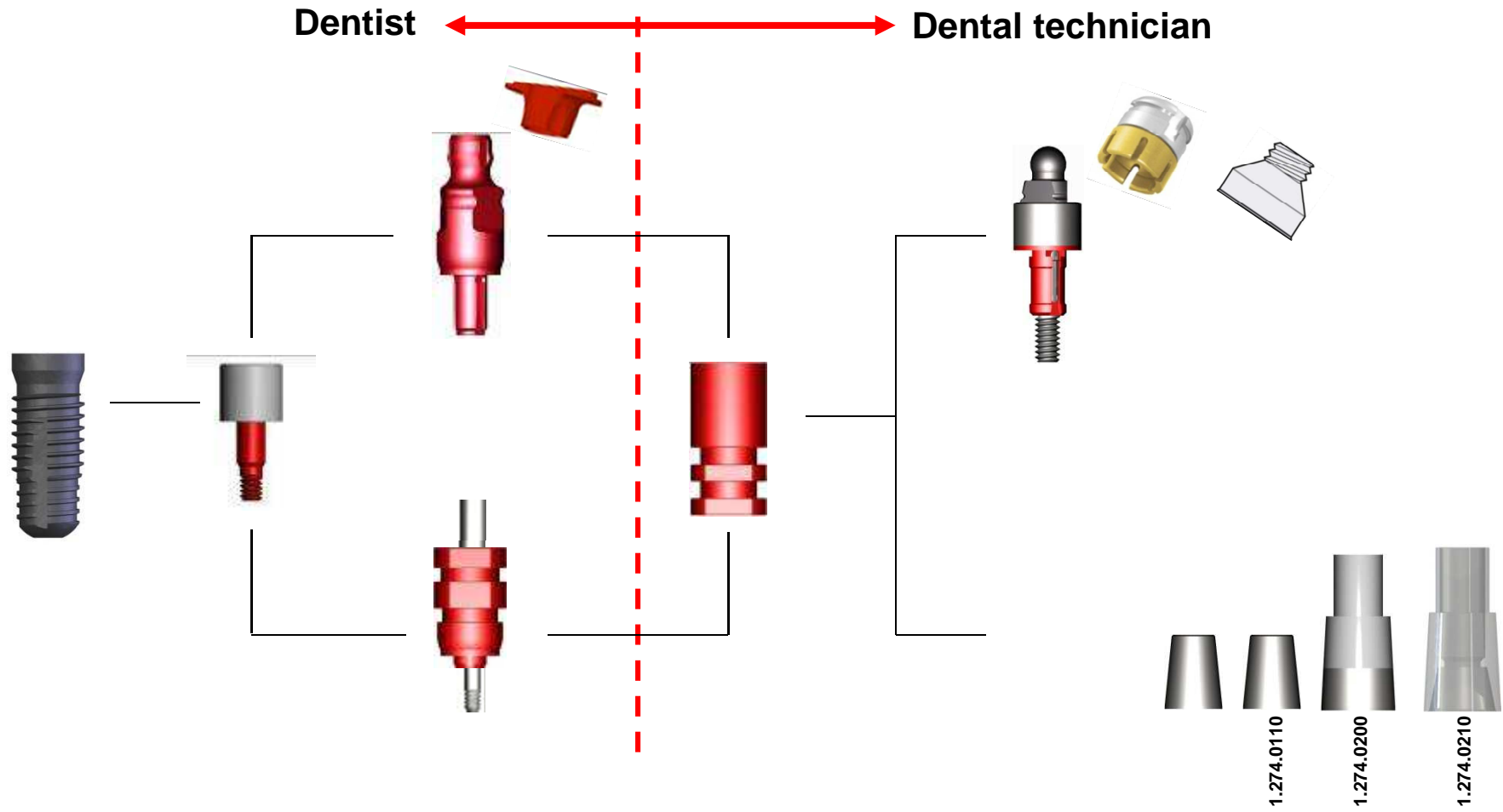


Prowital est distribuée en France par



[www.2sconcept-france.fr](http://www.2sconcept-france.fr)

# Bar- & Ballabutment, indirect Workflow





[www.2sconcept-france.fr](http://www.2sconcept-france.fr)

# Barabutment

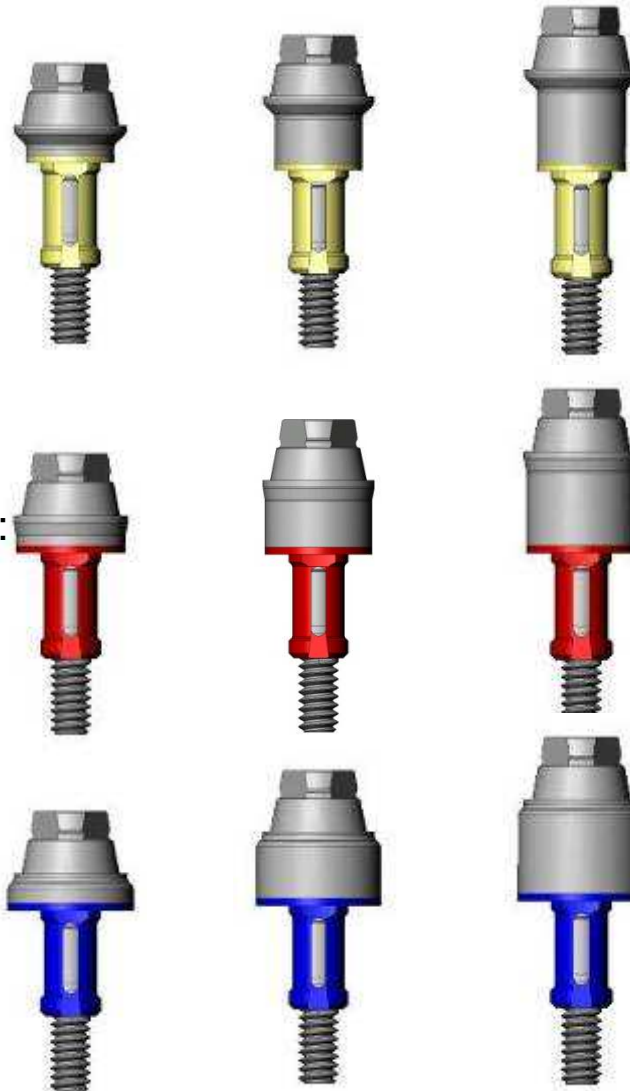
## Bar base incl. Fixing- & Labscrew

3,5

4,3

5,0

Gingiva height:  
1,5 mm  
3,0 mm  
4,0 mm

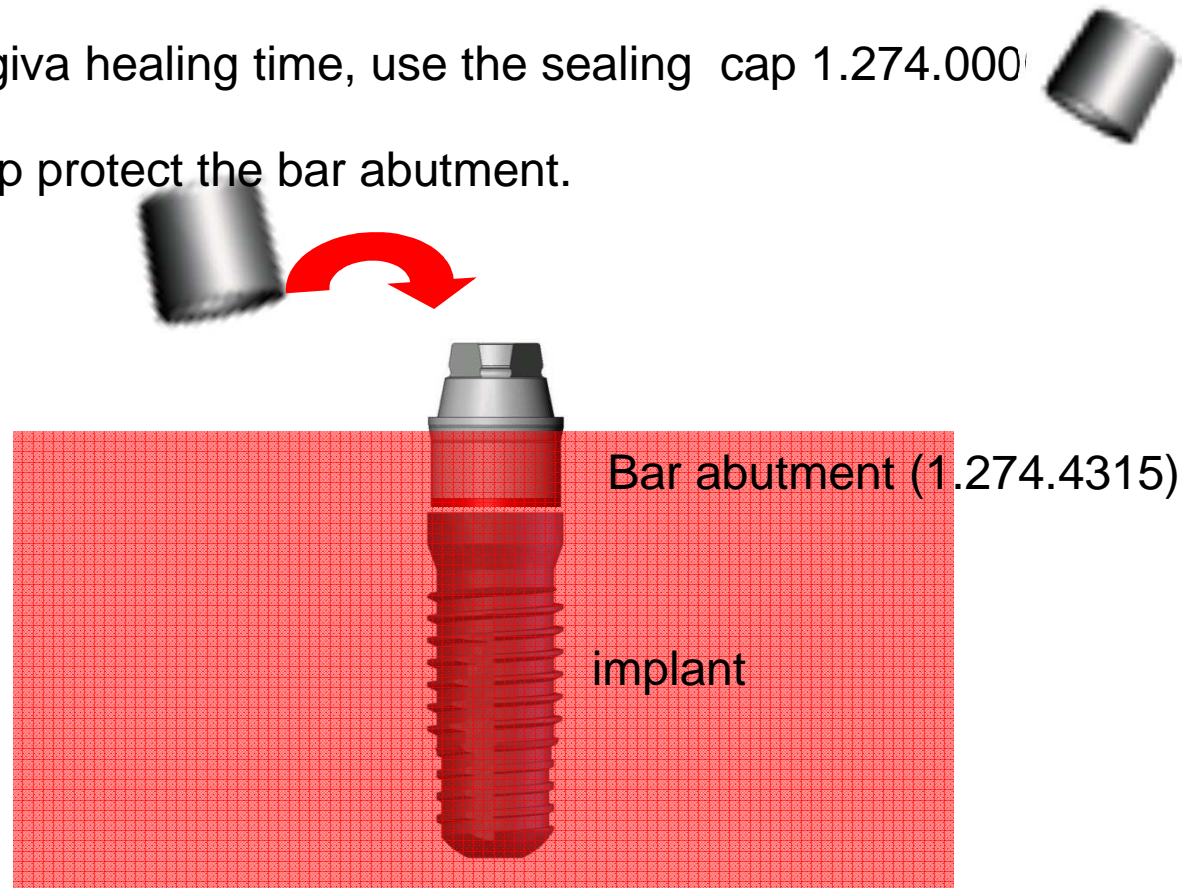




## Bar abutment direct after the implant healing time, without an healing cap

During the gingiva healing time, use the sealing cap 1.274.000

The sealing cap protect the bar abutment.



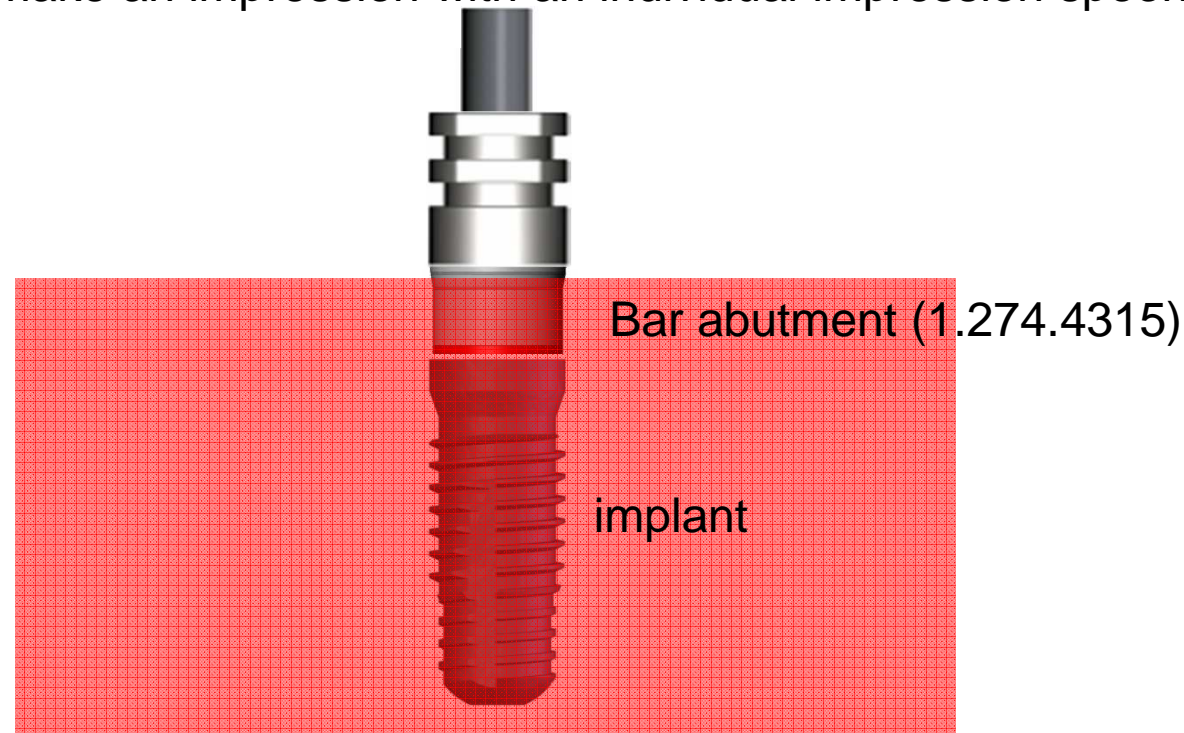


[www.2sconcept-france.fr](http://www.2sconcept-france.fr)

## **Bar abutment direct after the implant healing time, without an healing cap**

after the gingiva healing time, use the impression coping for bar abutment 1.203.0000

Then make an impression with an individual impression spoon



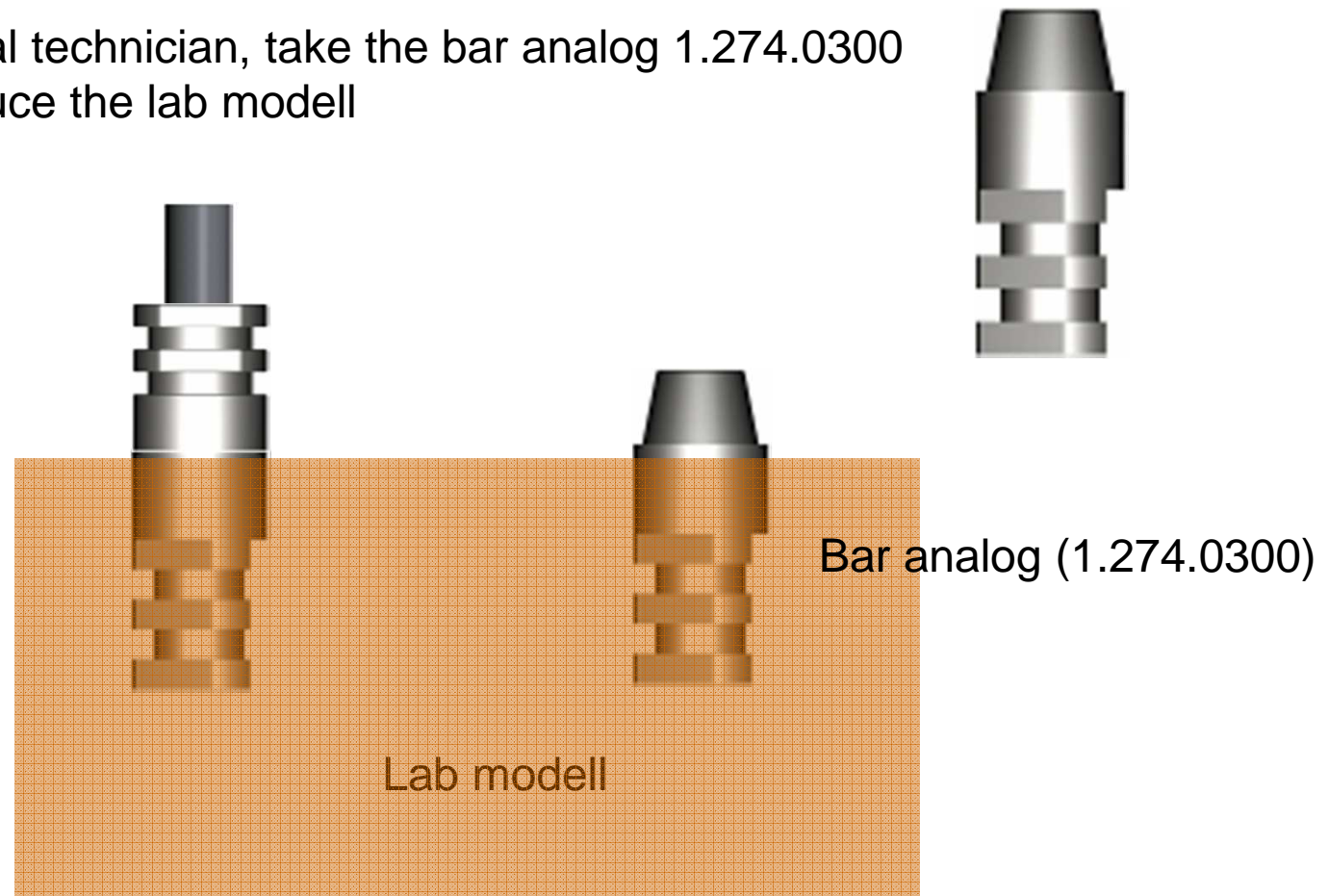
Prowital est distribuée en France par



[www.2sconcept-france.fr](http://www.2sconcept-france.fr)

## Bar abutment direct, if use the impression coping for impression

The dental technician, take the bar analog 1.274.0300 and produce the lab modell



Prowital est distribuée en France par

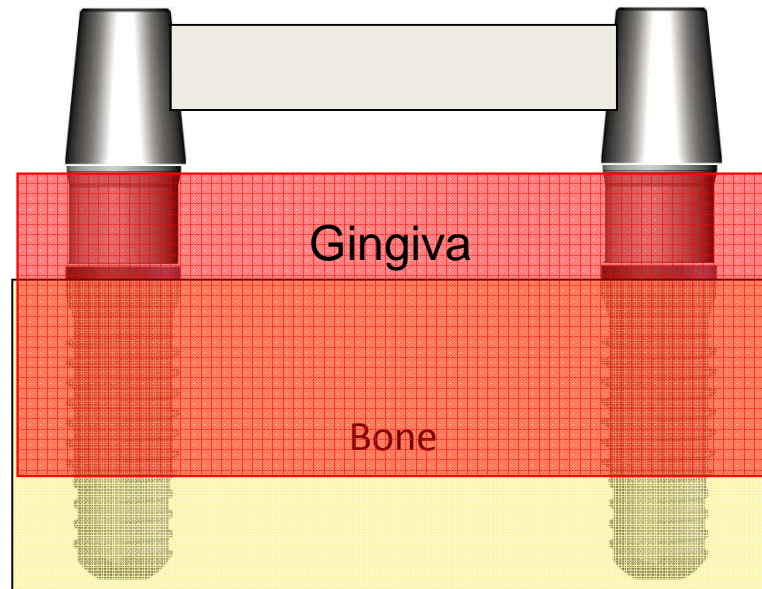


[www.2sconcept-france.fr](http://www.2sconcept-france.fr)

Minimum 2 Bar abutments /  
View: frontal

Bar: length is variable

Options: prefabricated or individuall



Bar base for diverse solution

Height for the Bar abutment =  
gingiva thickness

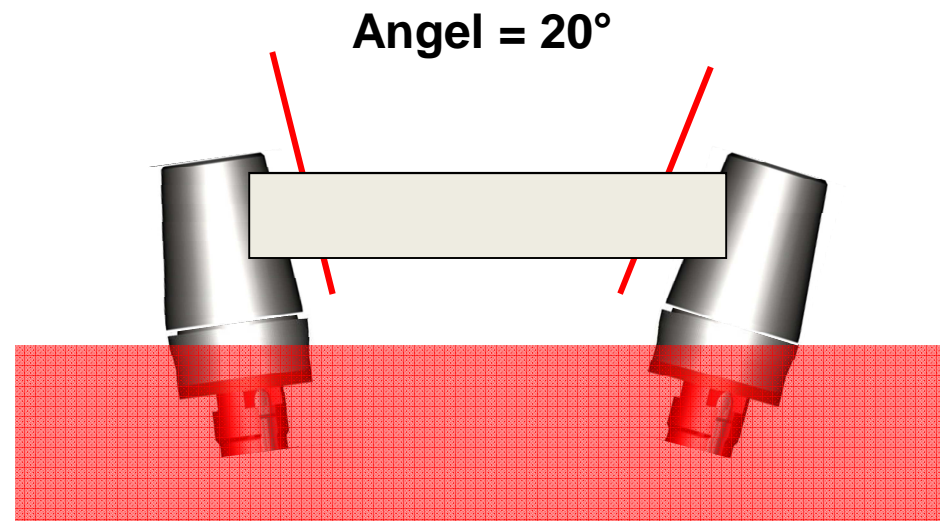


Prowital est distribuée en France par



[www.2sconcept-france.fr](http://www.2sconcept-france.fr)

## The bar base can balance the divergence!





[www.2sconcept-france.fr](http://www.2sconcept-france.fr)

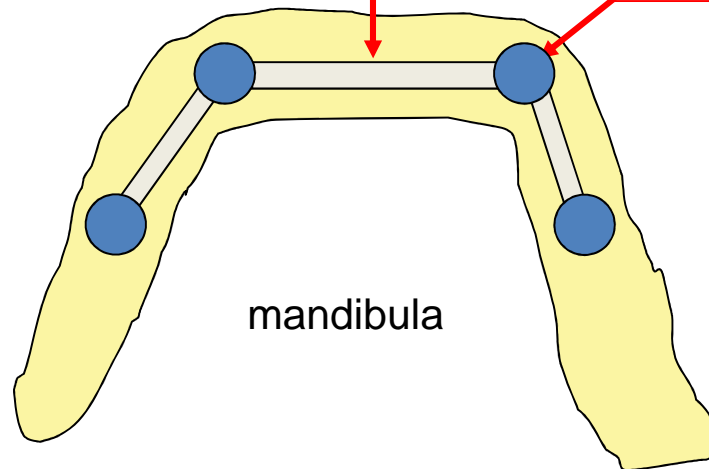
Minimum 2 Bar abutments /  
better for statics are 4 implants

View: occlusal

Bar: length is variable

Bar's prefabricated or  
individual

Implant, Bar abutment  
and bar base



Overdenture is fixed on the  
bar's  
The patient can the  
overdenture take out for  
cleaning



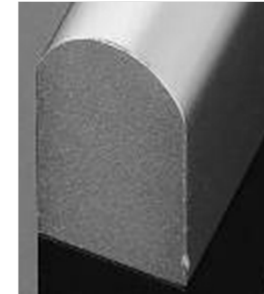
[www.2sconcept-france.fr](http://www.2sconcept-france.fr)

## Prefabricated bars in 2 shapes = fixed on the bar base

Oval =  
The plaid  
can  
rotate



Steggelenk



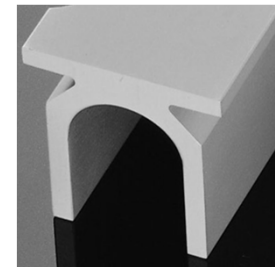
Parallel

Steggesschiebe

## Plaid for bar's in different materials = fixed in the overdenture



plaid  
=  
Au- Pt



plaid  
=  
Titanium alloy